



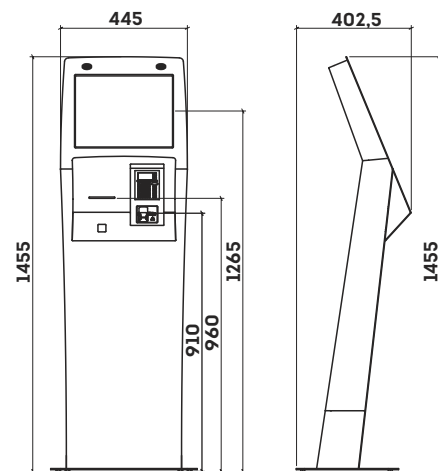
# KIO EDGE

**NEWVISION®**

## KIO EDGE

Just like its predecessor, the KIO EDGE is an extremely versatile Service Kiosk, delivering useful information and appealing multimedia content, while allowing the direct purchase of services and products, advanced customer identification methods and superior integration capabilities.

It's more than just an updated and streamlined version of the classic KIO Service Kiosk. Besides a renovated design, it delivers exceptional service performance and resource management, in an extremely competitive format.



### Features

- Modular Design and Built.
- 17" High Quality Touchscreen Display.
- 2mm-thick steel structure.
- Electrostatic painted, highly resistant to corrosion and low conductivity.
- Full color customization of the external framework.
- 80mm Thermal Printer, with no proprietary requirements.
- Paper printing support graphics, logos and text, perfect to create dynamic and engaging promotional campaigns.
- Impressive Multimedia functionality.
- Multiple available methods for customer identification.
- Allows payments by Debit/Credit Card.
- Wide-range and flexible integration capabilities.
- Industrial-grade PC incorporate.
- Maintenance Software.
- Software Development Kit (SDK).
- Compliant with the current CE standards.
- Power Voltage: 100-240V AC.

#### Dimensions

Lenght	Height	Width	Weight
445mm	1455mm	402,5mm	50 kg



## Benefits

- Extremely cost-effective Service Kiosk.
- Direct Sales Channel accepting credit/debit card payment.
- Improve transaction processing times.
- Increases the overall quality of service and human resource efficiency.
- Managed Marketing channel.
- Modular built assures functional flexibility and scalability.
- 24/7 Service Availability.

## Common Applications

- Payment of services, such as invoices or any kind of fee.
- Mobile phone top-up operations.
- Printing official documents like tickets, vouchers, etc.

## Modular Features

- Card Readers (Magnetic, Chip, NFC).
- 1D/2D Barcode Readers.
- Biometric readers.
- NFC reader.
- Camera.



**symetry** | Sierra Candela 34, Lomas de Chapultepec  
CDMX  
Teléfonos: 55 50953452 y 53  
info@symetry.mx